

Project #: _____

Item #: _____



Medium Duty Commercial Microwave Oven



Model 1234G1A

Features

- Large capacity (1.2 cu.ft / 34 L), accommodates a 14" (356 mm) platter.
- Able to withstand the demands of the Commercial Food Service environment with stainless steel cabinet and oven cavity.
- 1200 Watts of cooking power.
- Top and bottom Energy Feed.
- Cleanable Ceiling Splatter Shield.
- 5 power levels and 3 cooking stages for different cooking demands.
- 60:00 maximum cooking time and 100 auto programs can cover most product demands.
- Chef/Test Kitchen Support.
- User-friendly touch control pads with braille navigation is great for self-service locations and is ADA Compliant.
- Time entry option and X2 multiple quantity pad provide manual operation and cooking of multiple portions.
- Oven cavity light to monitor cooking status without opening the door.
- EZ Grab'n Go door handle for reliable use, no moving parts.
- Cleanable Stainless Steel Air Intake Filter.
- Stackable.

Applications

- + Restaurants
- + Healthcare
- + Schools
- + Vending
- + Breakrooms
- + Corrections and Marine

Project #: _____

Item #: _____



Model 1234G1A

Medium Duty
Commercial Microwave Oven

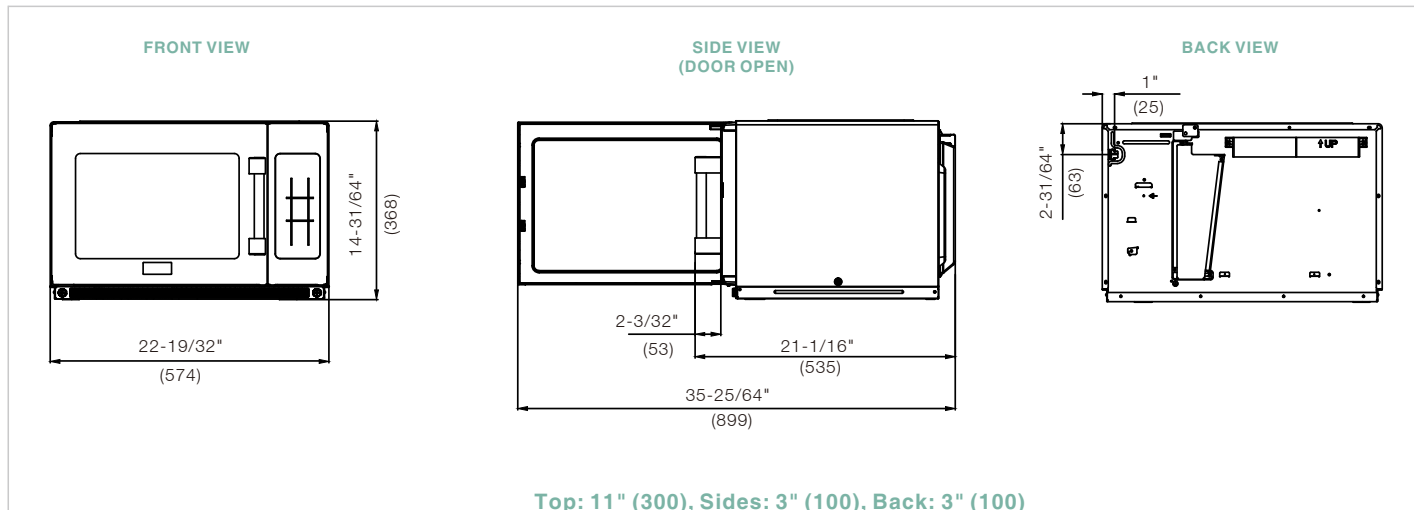
Medium duty commercial microwave from Midea shall have user-friendly touch pads with braille navigation. Oven shall be programmed up to 100 auto items with 60:00 maximum cooking time for each. Oven shall have 5 power levels and 3 cooking stages. There shall have time entry option and X2 multiple quantity pad for flexible Operation. LED display and end of cycle beep. Microwave output shall be 1200 Watts distributed by top and bottom magnetrons with rotating antennas. An interior light shall make the food easy to monitor without opening the door. The Large capacity 1.2 cubic ft. (34 liter) cavity shall accommodate a 14" (305 mm) platter or 6" tall H or X pan with cover. Durable door shall have an EZ Grab and Go handle with a 90° + opening for easy access. Cleanable Stainless Steel Air Intake Filter will be fitted along the bottom front of the oven. Oven shall have a stainless steel exterior wrap, door, and interior cavity. Chef/Test Kitchen Support. Microwave oven shall be listed by UL, CUL and ETL SANITATION.

Specifications

| Dimensions | |
|---------------------------------------|--|
| Cavity size | 1.2 cu.ft (34 Liters) |
| Cavity Dimension(WxDxH) | 360 mm x 409 mm x 225 mm (14 1/8" x 16 1/8" x 8 7/8") |
| Gross Dimension(WxDxH) | 574 mm x 528 mm x 368 mm (22 5/8" x 20 3/4" x 14 1/2") |
| Inside Package Dimension(WxDxH) | 641 mm x 559 mm x 451 mm (25 1/4" x 22" x 17 3/4") |
| Outer Package Dimension(WxDxH) | 649 mm x 567 mm x 464 mm (25 1/2" x 22 3/8" x 18 1/4") |
| Ship Weight (approx) | 34.3 kg (75.6 lb) |
| Product Weight | 32.2 kg (71.0 lb) |
| Door Depth | "35-25/64"" (899), 90°+ door open" |
| Exterior Finish | Stainless steel |
| Interior Finish | Stainless steel |
| No Turnable | Yes |
| Interior Light | Yes, Incandescent |
| Loading Capacity (20' / 40' / 40' HD) | 180 / 360 / 360 |
| Electrical specifications | |
| Power Consumption | 2000 W |
| Power Output | 1200 W |
| Power Source | 120 V, 60 Hz, 20 A single phase |
| Plug Configuration | NEMA 5-20P |
| Plug Cord | 5 ft. (1.5m) |
| Plug Image | |
| Frequency | 2450 MHZ |

| Technical specifications | |
|--------------------------|---|
| Filter Board | Yes |
| Settings Programmable | 100 |
| Power Levels | 5 |
| Stage Cooking | 3 |
| Control Type | Membrane Touch |
| Defrost by Time | Yes |
| Time Entry Option | Yes |
| Max. Cooking Time | 00:60:00 |
| Multiple Portion Setting | Yes, X2 |
| Express cook | Yes |
| Cooking End Signal | Yes |
| Magnetron Protection | Yes |
| Magnetrons | 2 |
| Function type | Medium-duty |
| Microwave Distribution | Double rotating antenna, top and bottom |
| Braille | Yes |
| Stackable installation | YES, 2 |
| Safety Listing | |
| Safety Listing | UL+CUL+FCC+ETL SANITATION |
| | |

Installation Clearances



Warranty Service

3 Year Limited Warranty: 3 year Magnetron and 1 Year Parts, Labor and Travel/Shipping.

Support Center

Midea Food Service Equipment Service Support Center, 1-855-238-5604 or USService_Microwave@midea.com.

